

# PT1200

12" Portable Teleprompter Kit

## QUICKSTART GUIDE



### What's Included

- 1 x Glass Frame / Monitor Assembly
- 1 x Magnetic Hood
- 2 x 12-Inch Rods
- 1 x Baseplate Assembly
- 1 x PrompterPro Software

<b>CHECKED BY</b>

ikan

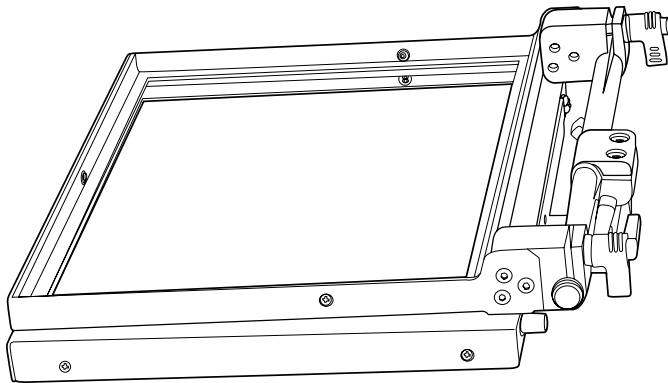
[www.ikancorp.com](http://www.ikancorp.com)

[support@ikancorp.com](mailto:support@ikancorp.com)

713.272.8822

© 2015 ikan Corporation. All rights Reserved

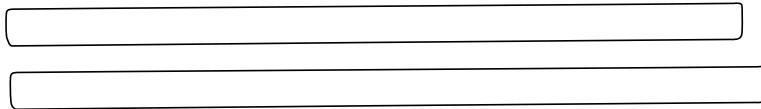
## What's Included



Glass Frame / Monitor Assembly



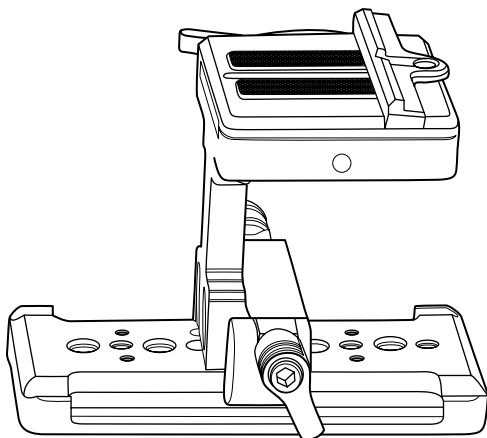
Magnetic Sunhood



2 x 12-Inch Rods



PrompterPro Software



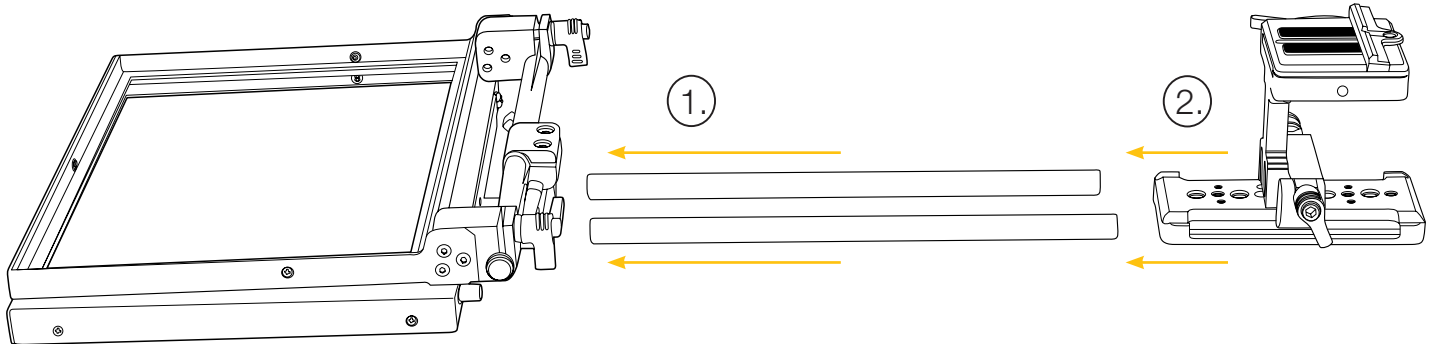
Baseplate Assembly

Custom cut foam for hard case

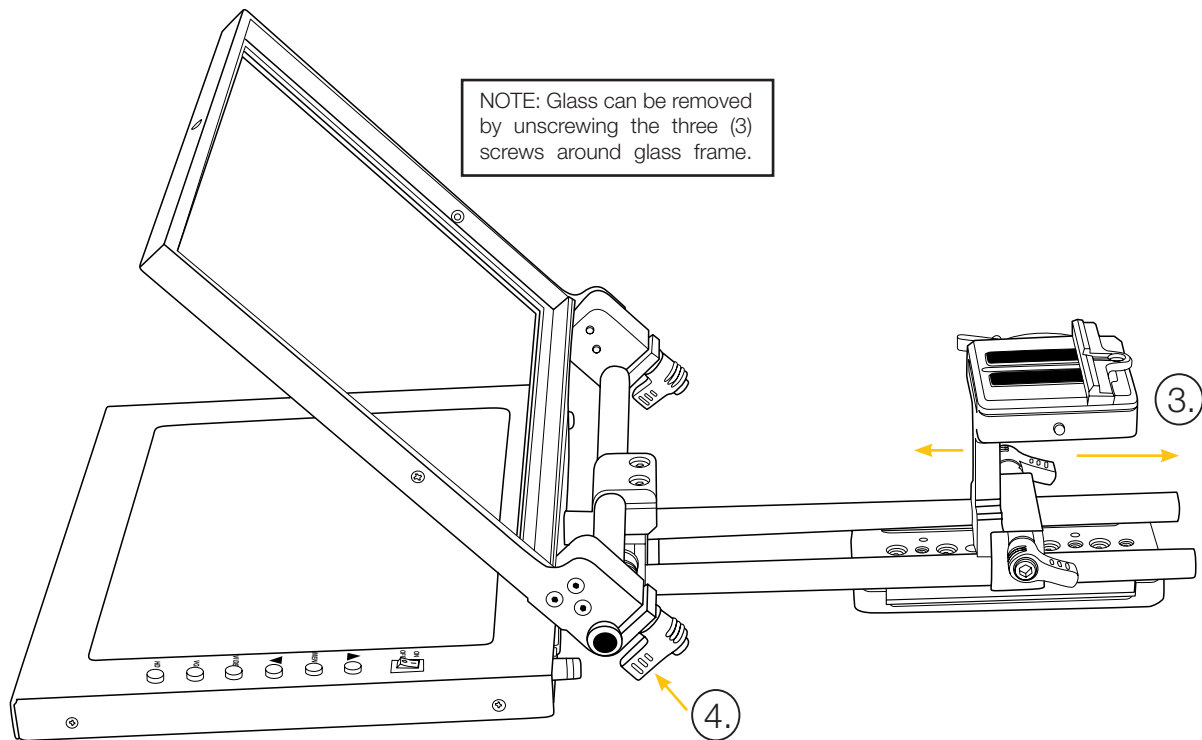
# PT1200

## How to Assemble

1. Insert rods into rail mount on glass monitor assembly.
2. Slide baseplate onto rods.



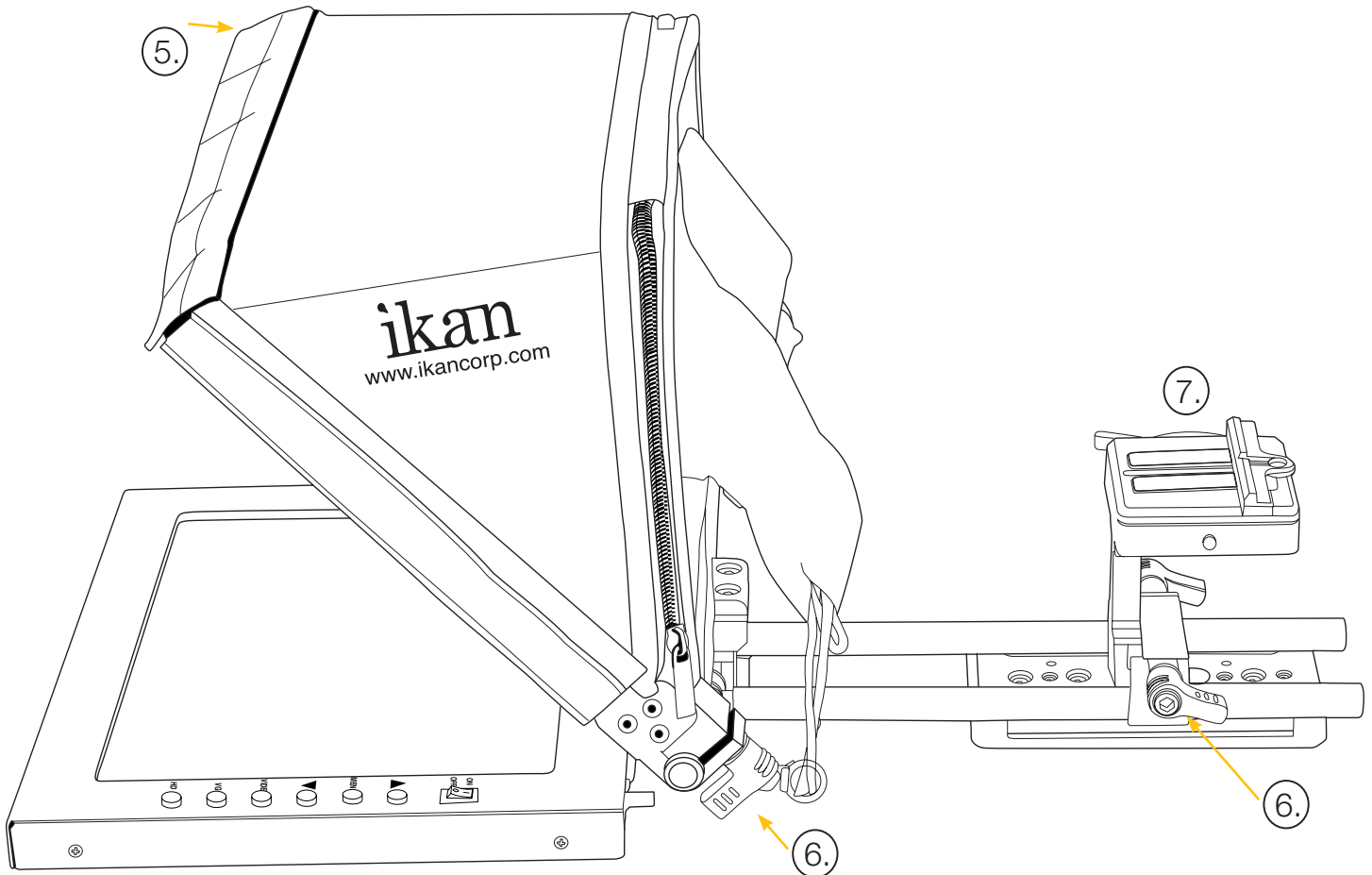
3. Adjust spacing for your camera.



4. Tighten & Loosen thumb screw to adjust glass frame. Ideal angle is 45 Degrees.

# PT1200

5. Attach magnetic hood to glass frame.



6. Make sure adjustable thumb screws are tight.

7. Remove quick release plate and attach to your camera. Reattach to Baseplate.

8. Don't throw away the foam insert!

The PT1200 comes packaged in high-quality, custom-cut foam. It is sized perfectly to fit inside an SKB iSeries 1914-8 water-proof case.

## Learn More

More dynamic information at official website: [www.ikancorp.com](http://www.ikancorp.com)

## Support

Contact email: [support@ikancorp.com](mailto:support@ikancorp.com)

### CONDITIONS OF WARRANTY SERVICE

- Free service for one year from the day of purchase if the problem is caused by manufacturing errors.
- The components and maintenance service fee will be charged if the warranty period is expired.

Free Service will not be Provided in the Following Situations:(\*Even if the product is still within the warranty period.)

- Damage caused by abuse or misuse, dismantling, or changes to the product not made by the company.
- Damage caused by natural disaster, abnormal voltage, and environmental factors, etc.